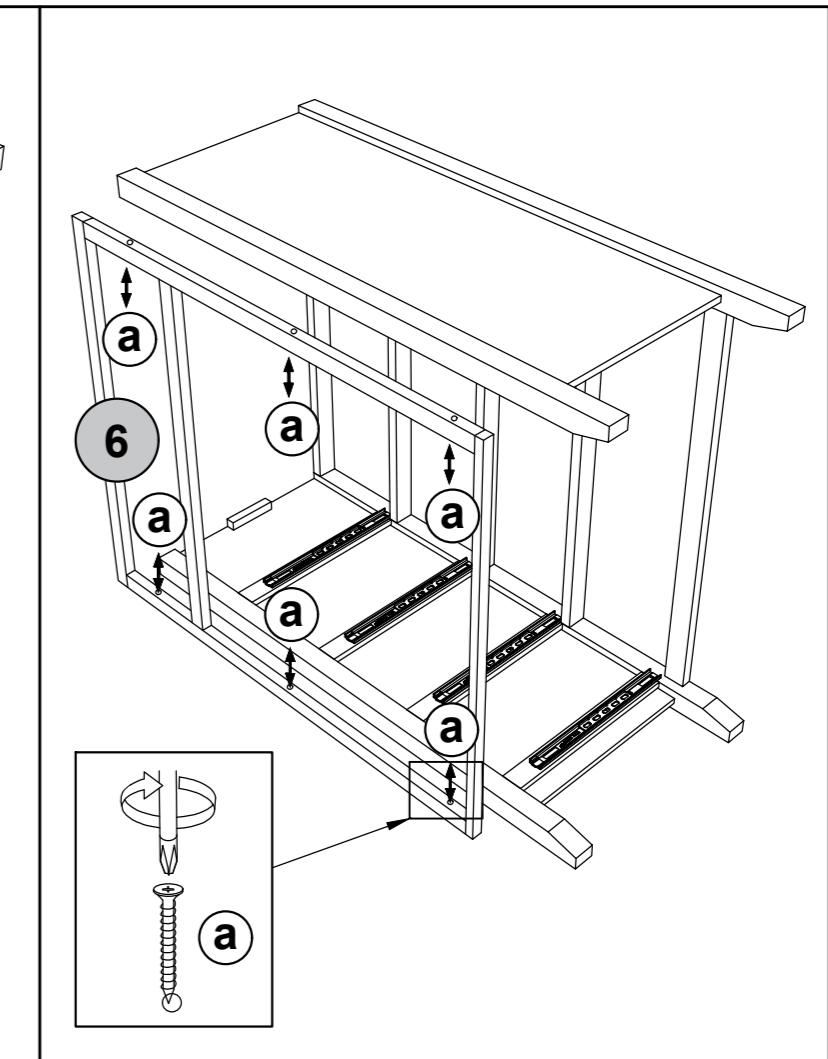
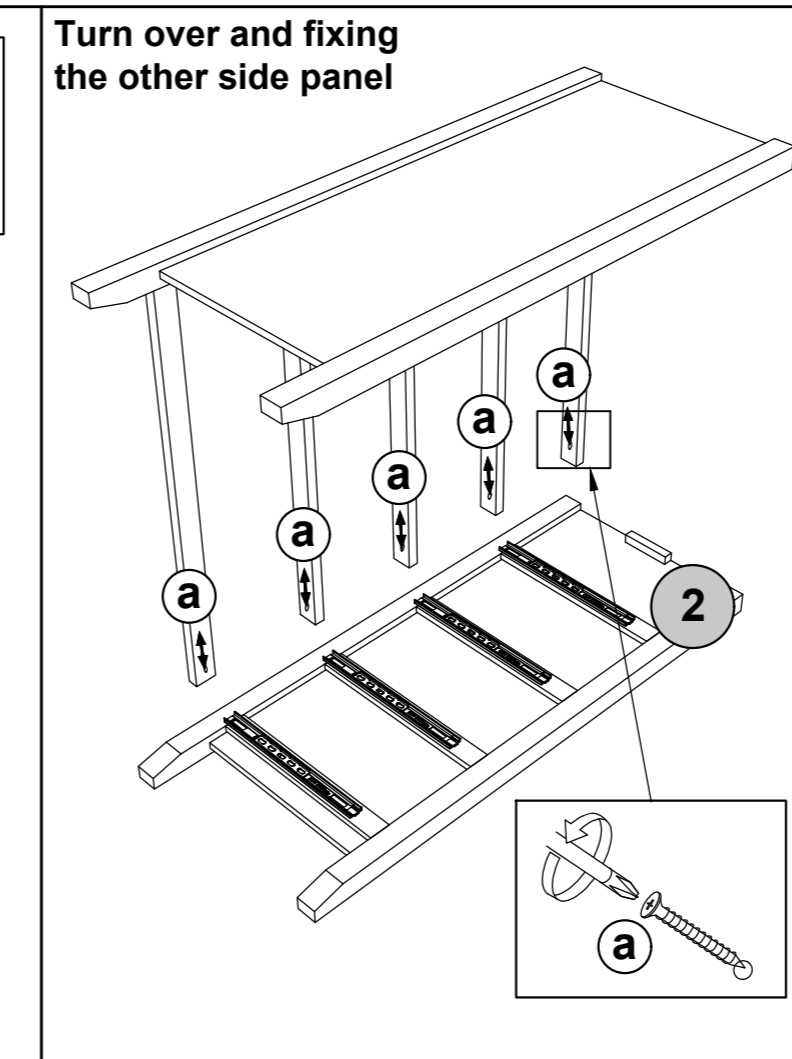
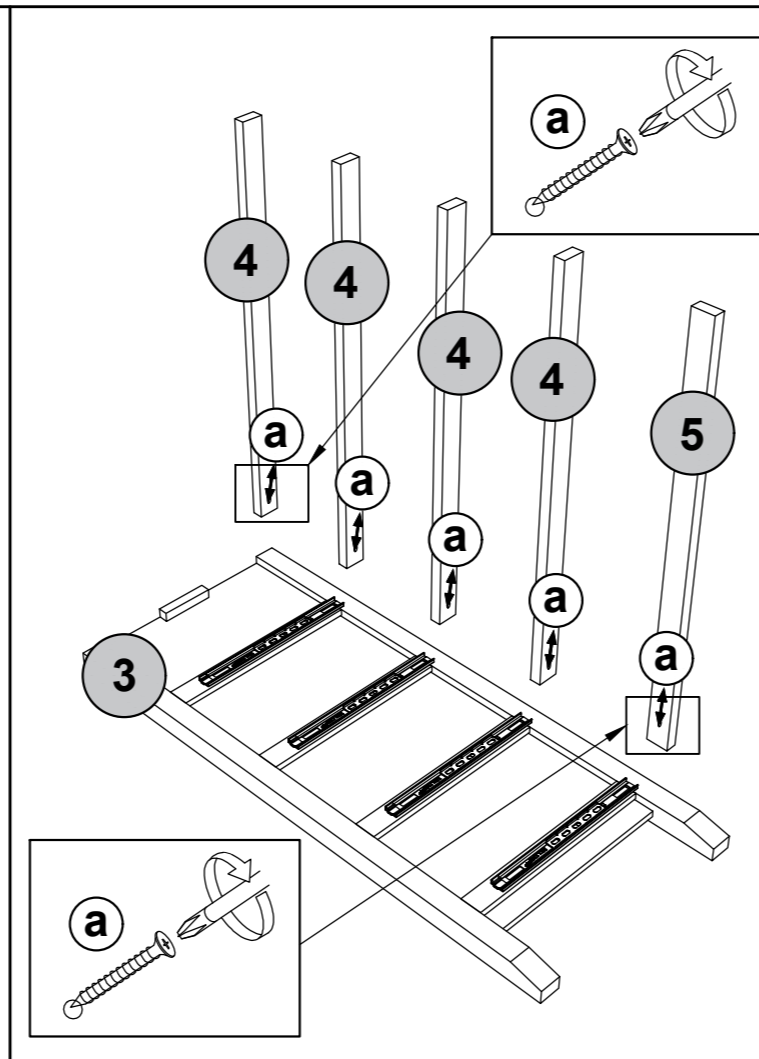
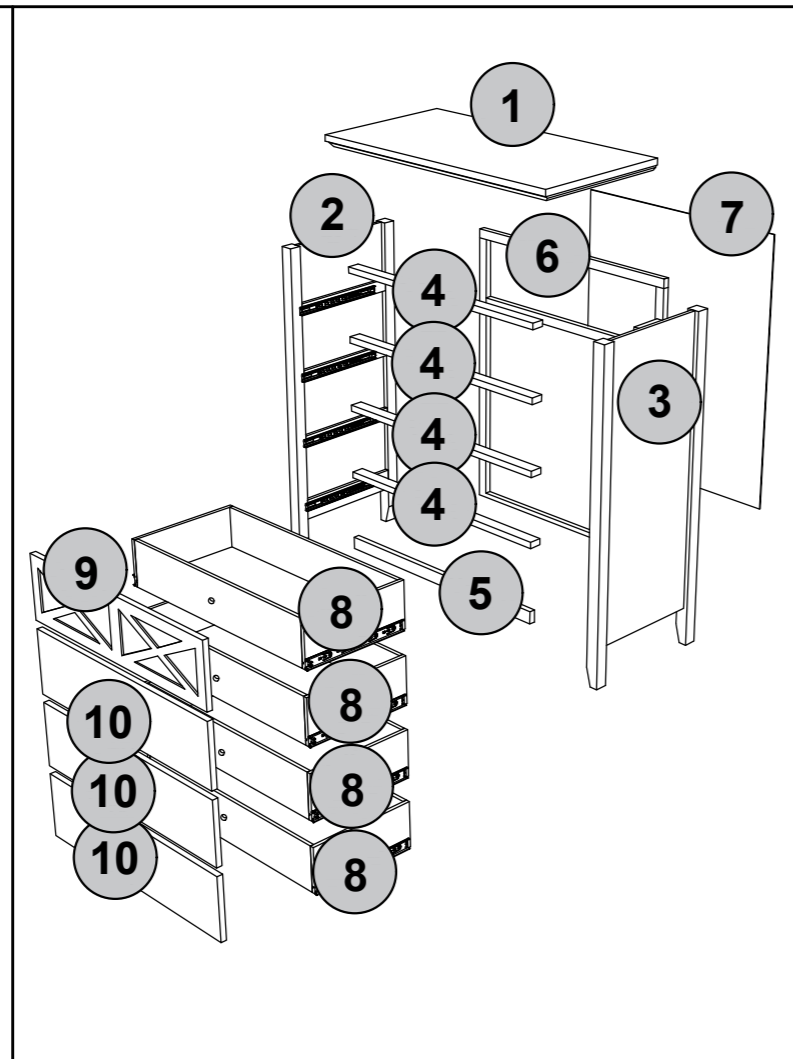
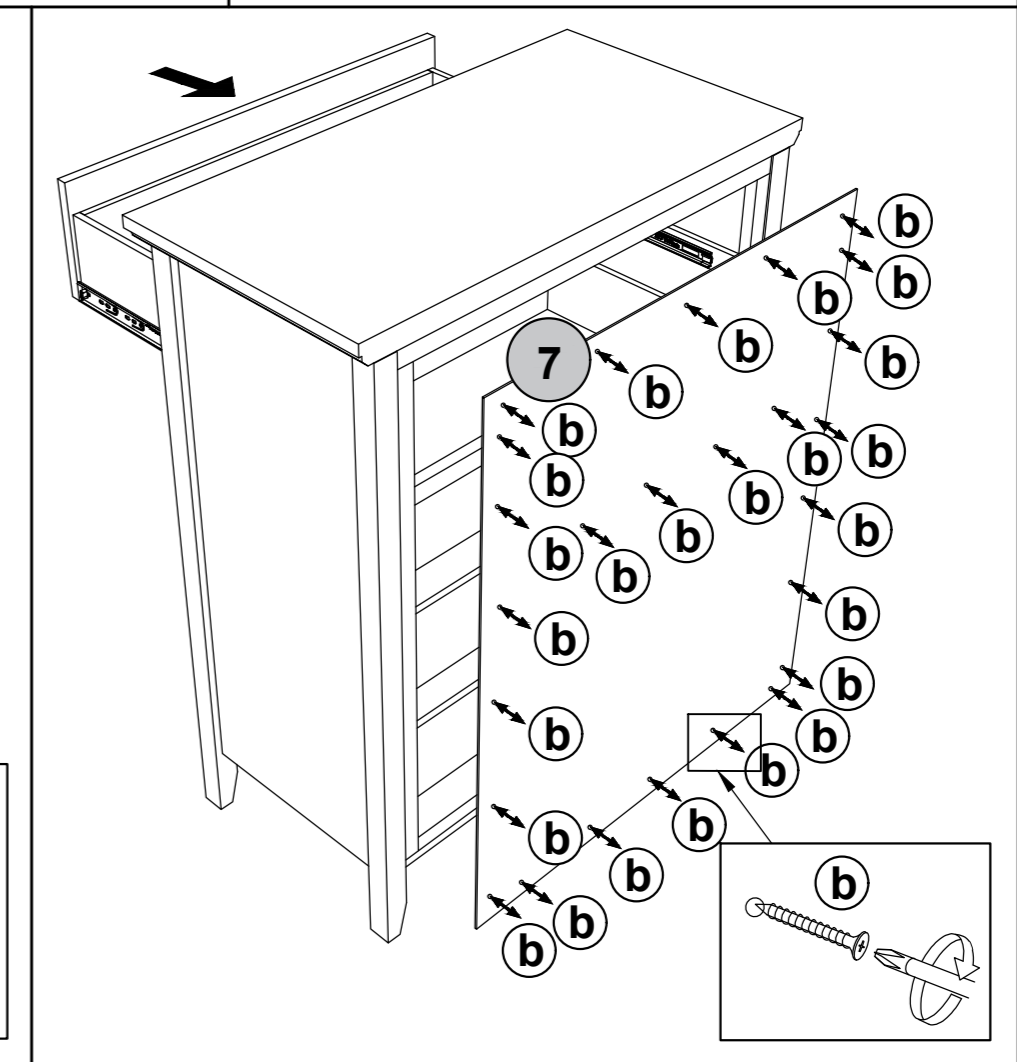
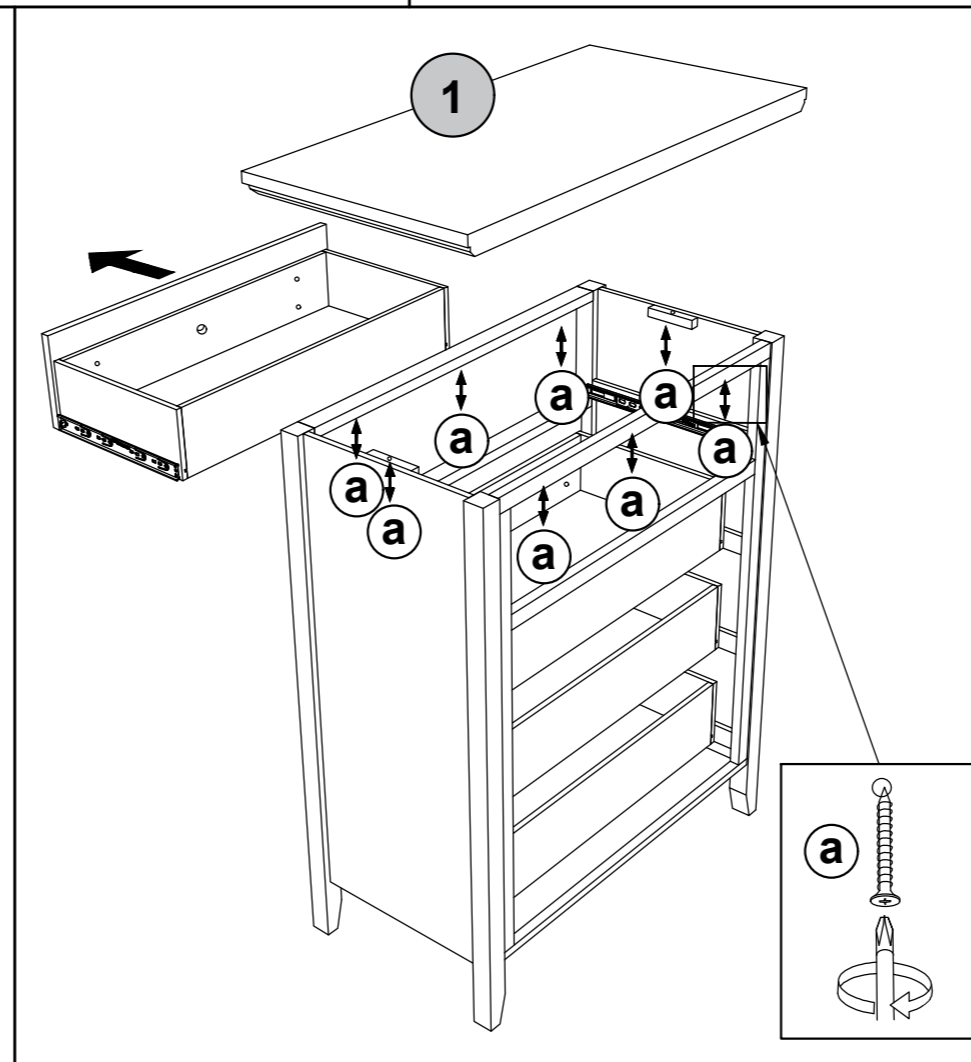
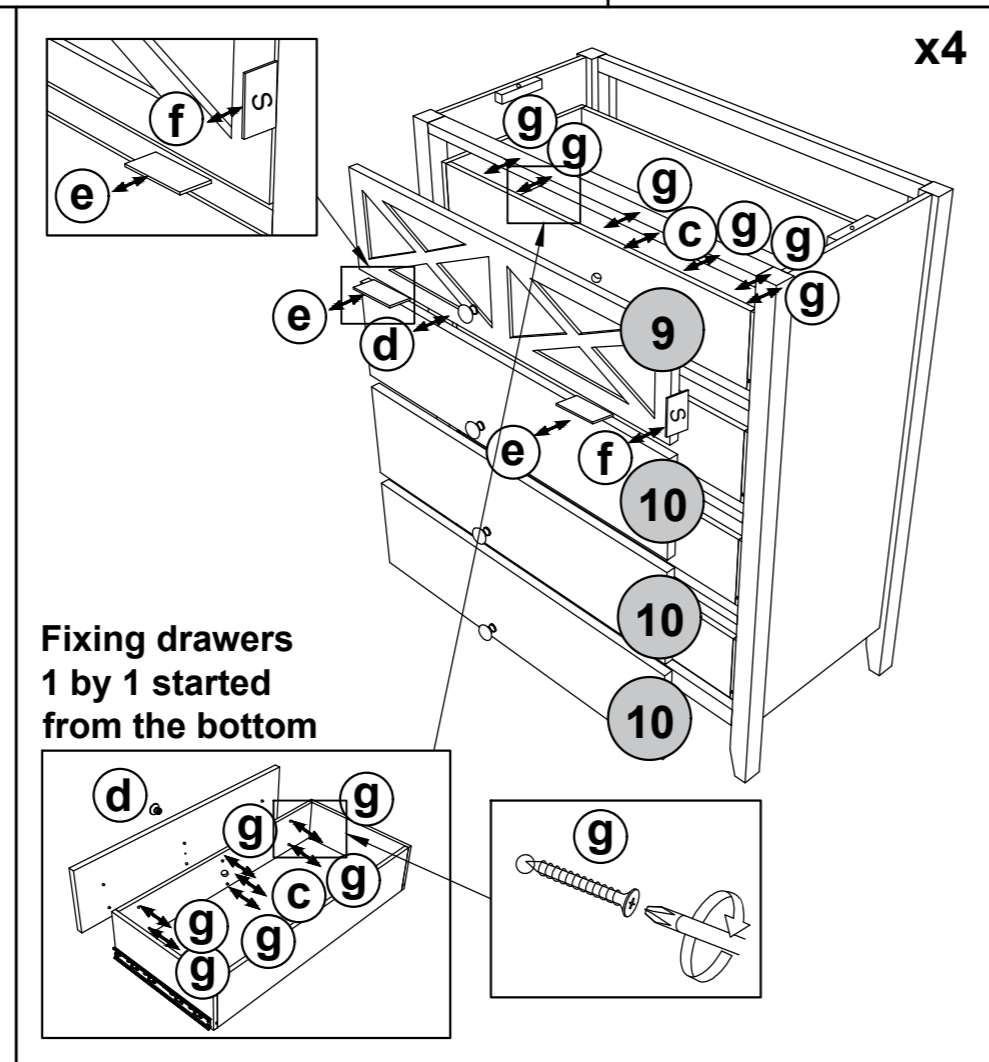
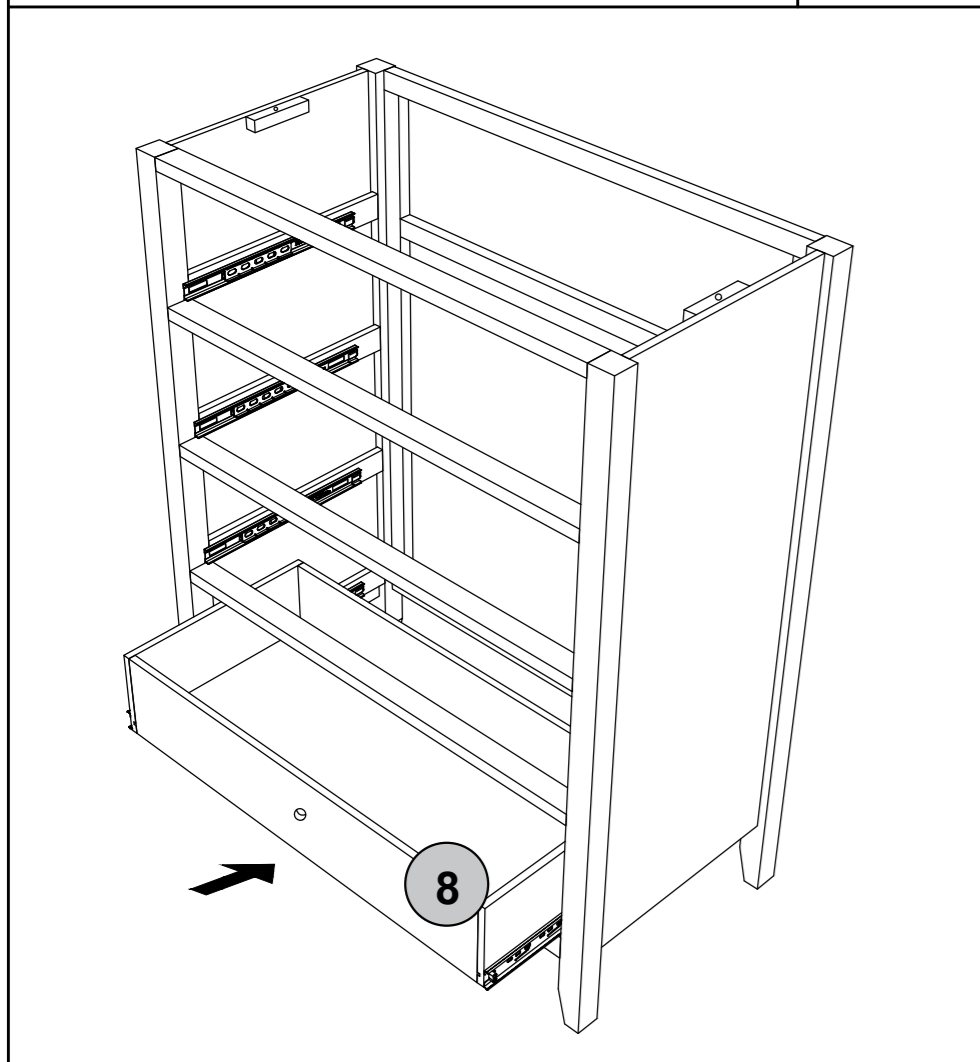




Candra



| Icon | Icon | No | Icon |
|------|------|----|------|
| | | 3 | |
| | | 2 | |
| | | 2 | |
| | | 1 | |
| | | 1 | |
| | | 1 | |
| | | 1 | |
| | | 4 | |
| | | 3 | |
| | | 3 | |
| | | 1 | |
| | | 1 | |



Slotting last bottom drawers first, then fixing the front drawers. Repeat the same on the rest of the drawer. You can only fix and complete one drawer at once.



| a | b | c | d | e | f | g |
|------|------|------|---|---|---|------|
| | | | | | | |
| 4x25 | 3x16 | 4x32 | | | | 4x20 |
| 24 | 26 | 4 | 4 | 2 | 1 | 24 |